

### Industrial Strength Construction

- Stainless steel-reinforced header frame
- Corrosion-resistant composites
- Break-Away Design



### Powerful, Long Lasting Operator

- 25% more power than typical operator
- High duty cycles without additional cooling fans
- Exclusively available at Rytec



### Independent Door Controller

- Floor level operation
- Relay logic for easy set-up and troubleshooting



### Heavy-Duty Door Panel

- Tough, tear resistant vinyl
- UV and chemical resistant
- Flexible at low temps
- No polycarbonate to crack or cloud



### Easy Chain Hoist in Case of Power Failure

- Permits full opening and closing of door in case of power failure
- No weights, ropes or springs required



### Premium Roll and Motor Cover

- Reinforced header frame
- Replaceable vinyl
- Encloses the entire head assembly



### UL-Recognized Components

- Meets rigorous safety standards
- Adds third-party testing credibility for compliance and electrical inspections



### Easy to Install and Easy to Maintain

- Simple construction for easy installation
- Fewer moving and durable parts means less maintenance



# Wynd Star Model WS3

## Vinyl Roll-up Car Wash Door

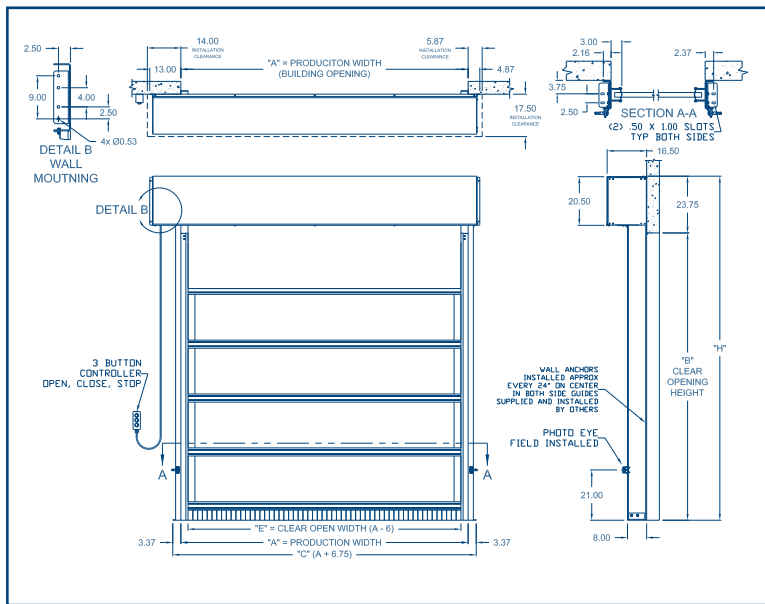
- ✓ Wind Protection
- ✓ Heat Retention
- ✓ Corrosion Resistance
- ✓ Visibility and Light
- ✓ Break-Away™ Design
- ✓ Premium Roll & Motor Cover



## Simply Better Car Wash Doors

With a reinforced header and premium roll and motor cover, the WS3 is designed for harsh, corrosive car wash environments. The stainless steel components and composite materials are rust and corrosion-resistant for long life in wet and damp conditions. Unlike conventional car wash doors, the flexible Break-Away panel reduces the potential for costly damages after accidental impact. The Wynd Star design eliminates pneumatics, cables, springs, hinges, belts, drums, pulleys and other high maintenance parts for years of trouble-free operation.





## Specifications

**Model:**  
Wynd Star WS3  
Vinyl Roll-Up Car Wash Door

**Maximum Width:** 14'0"  
**Maximum Height:** 12'0"

**Electrical Requirements:**  
3-phase options include 208, 230, 460 or 575 VAC

**Construction:**  
Rigid composite side guides  
Flexible plastic bottom edge  
Jamb-Wrap design provides a tight seal around the opening

**UL Compliance:**  
UL-recognized operator and controller

**Maintenance:**  
Simple to maintain, easy to clean  
All panels and seals replaceable

**Operator:**  
0.60 HP, direct drive electric  
44.25 ft/lbs torque output  
Opens and closes at 20 inches per second  
Designed for high-cycle applications

**Operator Safety:**  
Integrated safety brake  
Safety run timer

**Controller:**  
NEMA 4X relay logic  
3-button station (open/close/stop)  
Pre-wired with standard 10 ft cable length for installation  
Off-board control panel configuration allows for remote mounting  
Additional inputs/outputs and 24 VAC for ancillary devices

**Safety:**  
Soft panel and bottom edge, safety striped edge and photoeyes

**Manual Operation:**  
Open/Close Chain hoist - no crank

**Door Panel Design:**  
Break-Away™ design  
After accidental impact the door automatically resets upon next opening

**Door Seals:**  
Replaceable side brush seals  
Dynamic "contactless" top seal, won't scratch or wear on the door panel

**Other Standard Features:**  
Protective Roll and Motor Cover  
Vision panels  
Conveyor cut-outs  
Interior or exterior mount  
Right hand drive (left hand standard)

**Additional Options:**  
Consult Factory

**One-Year Warranty**

## Panel Colors



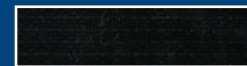
Clear Vision Panel



Red (DC-2)



Royal Blue (DC-46)



Black (DC-7)



Green (DC-24)



Yellow (DC-42)



White (DC-6)



Grey (DC-4)



Orange (DC-70)

The color samples provided here may not be exact representations of the vinyl colors. Various factors such as printing, monitor resolution, color settings, and display type can affect how the colors are viewed.

**Wynd Star Doors** by Rytec  
www.wyndstardoors.com  
One Cedar Parkway  
Jackson, WI 53037  
PH: 888-GO-RYTEC • FAX: 262-677-2058

**WYND STAR DOORS**  
BY RYTEC

Specifications subject to change © Rytec Corporation LIT.MSFNN